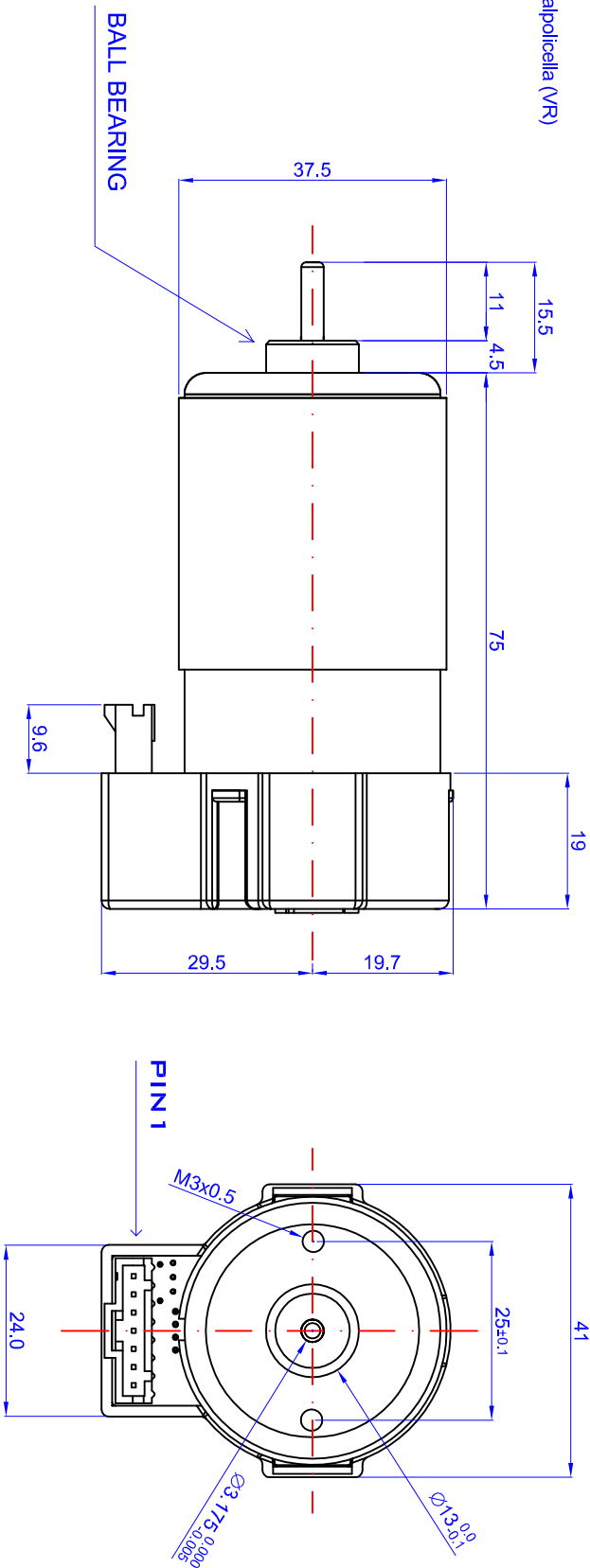


VEM tech

Via A.Diaz n°4
CAP 37015
Sant'Ambrogio di Valpolicella (VR)
Italia



ENCODER DATA:

- Encoder resolution: 512 CPR (Counts Per Rotation)
- Encoder type: 2 channel incremental encoder, square wave outputs, 90 ° phase shift
- Encoder supply: 5 Vdc, 18 mA typ.
- Encoder output: TTL
- If "M+" (pin 5) = positive motor supply and "M-" = negative motor supply, the motor shaft rotates clockwise as seen from motor output shaft side.

CONNECTOR PIN OUT

- MOTOR DATA**
- VOLTAGE SUPPLY: 32 V
 - NO LOAD SPEED: 6150 RPM
 - NO LOAD CURRENT: 0.110 A
 - STALL TORQUE: 235 mN*m
 - STALL CURRENT: 5.15 A
 - MOTOR RESISTANCE: 6.8 ohm
 - TORQUE COSTANT Kt: 49.4 mN*m/A
 - MOTOR POWER Max: 37.5 W
- AT MAX. MOTOR EFFICIENCY (67.8 %):**
- SPEED: 5360 RPM, CURRENT: 0.75 A,
 - TORQUE: 30 mN*m, W: 16.8

- PIN 1 : +5 V
- PIN 2 : CH-A
- PIN 3 : GND
- PIN 4 : CH-B
- PIN 5 : MOTOR+
- PIN 6 : NOT USED
- PIN 7 : MOTOR-

Issue		Date		DWN		CHKD		APPD		Dimensions in mm Date: 12/07/2010 DWN by: P.Franceschini CHKD by: APPD by: M.Sandi	Normative ROHS	Scale	Motor encoder group Motor 555 - 512 CPR	Size A4
Note		Date		DWN		CHKD		APPD						
Tolerances not otherwise specified: ±0.3											Motor encoder group Motor 555 - 512 CPR	Size A4		
													Sheet	1 of 1